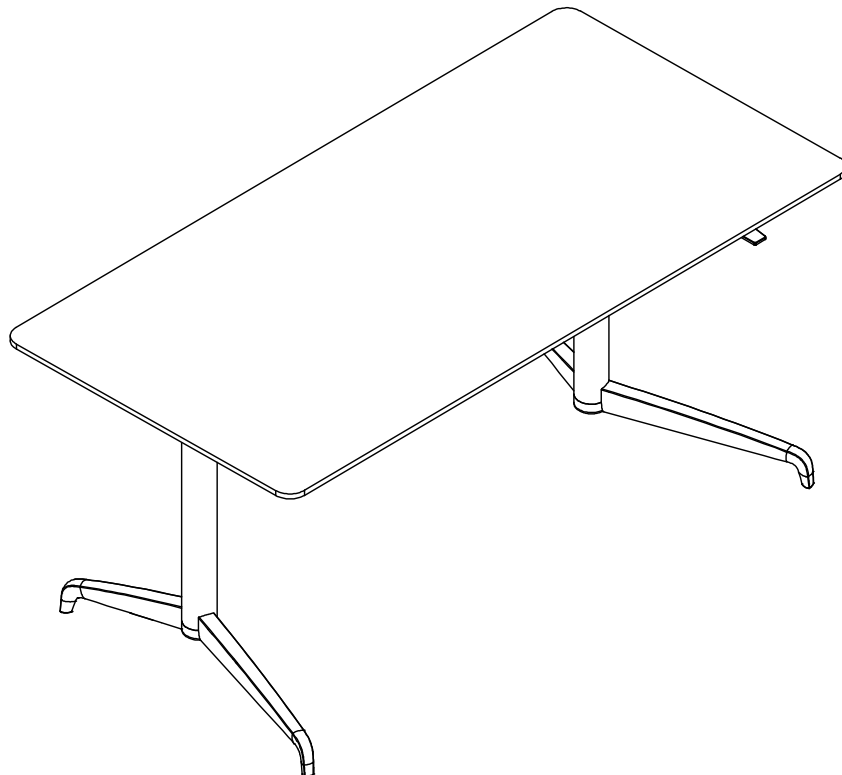
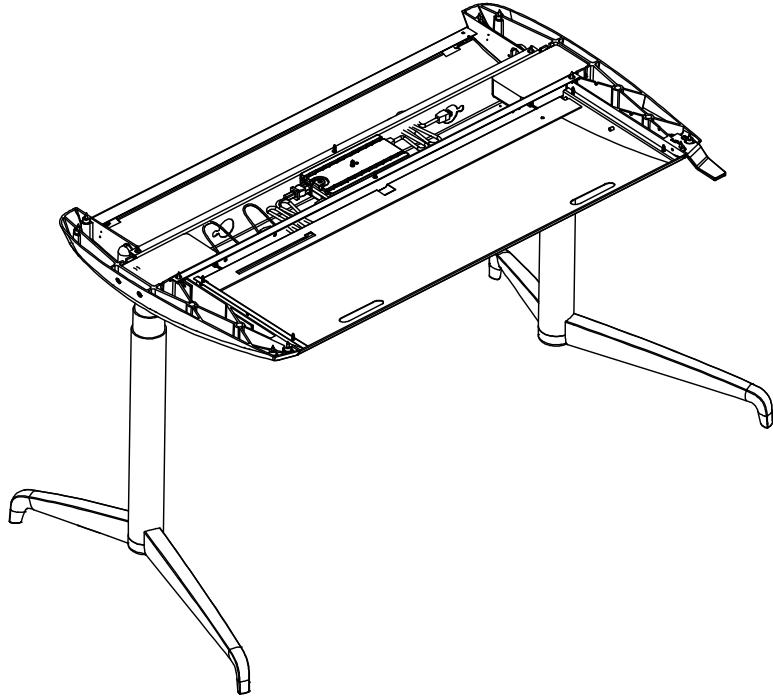
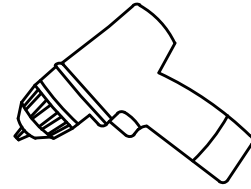
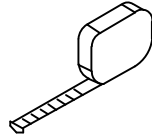
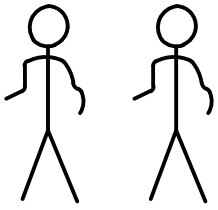


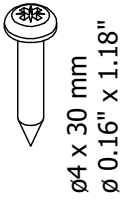
Assembly Instructions

Genese - Work Desk

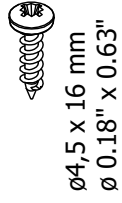




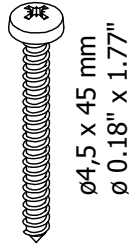
10 xA



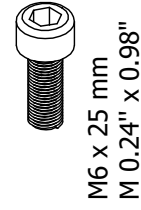
12 xB



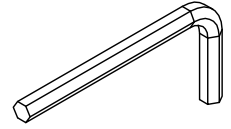
1 xC



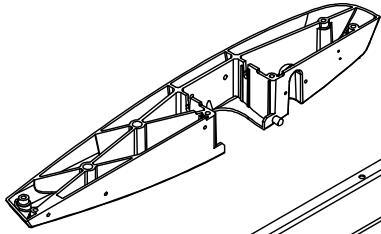
30 xD



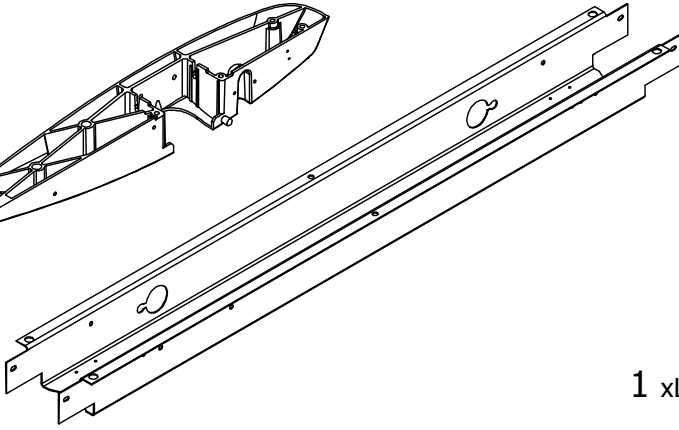
1 xE



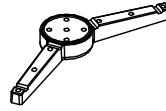
2 xF



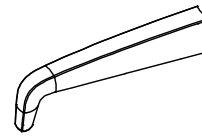
1 xG



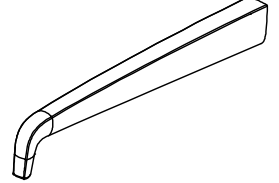
4 xH



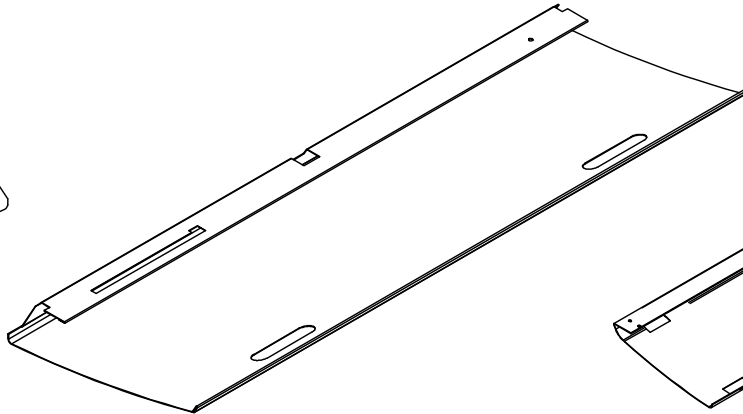
2 xI



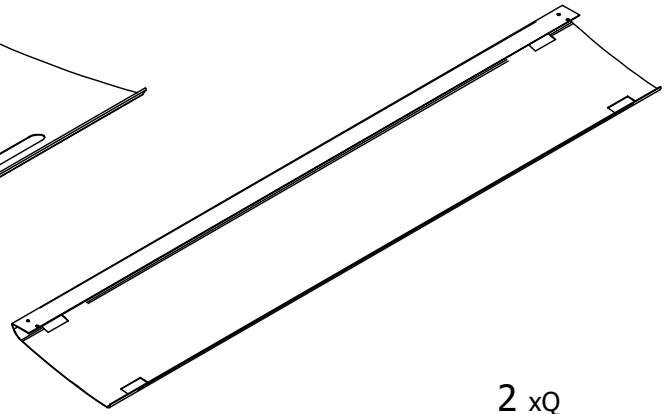
2 xJ



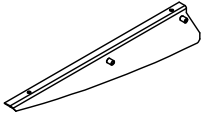
1 xL



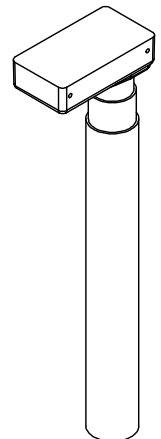
1 xM



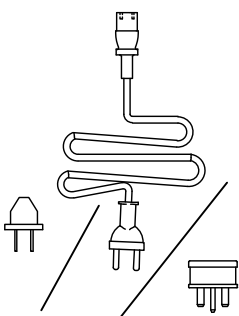
2 xK



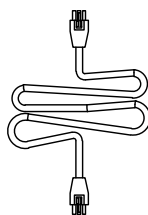
2 xQ



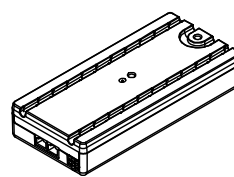
1 xN



2 xO

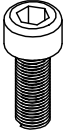


1 xP

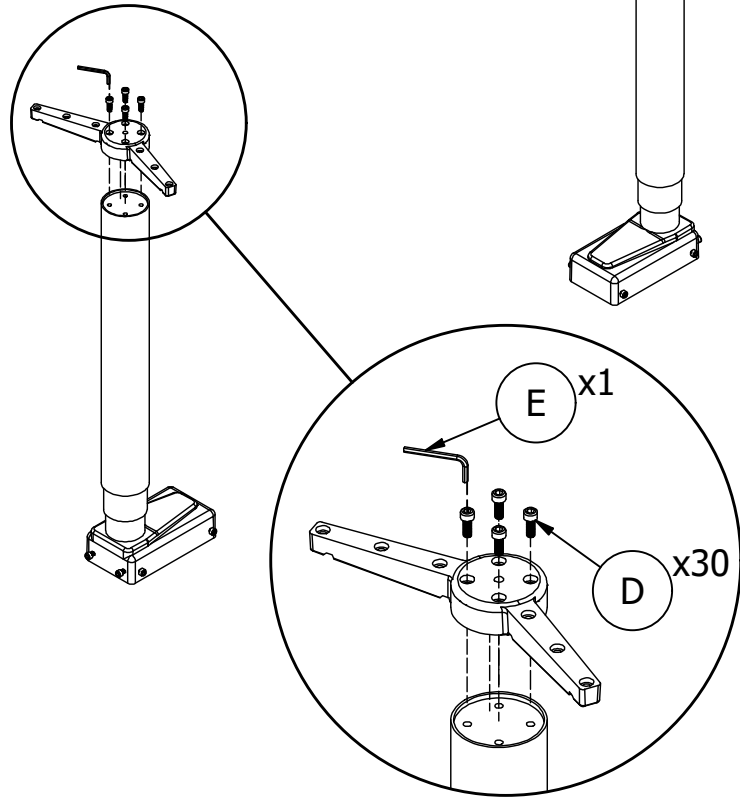


1

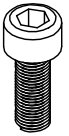
30 xD



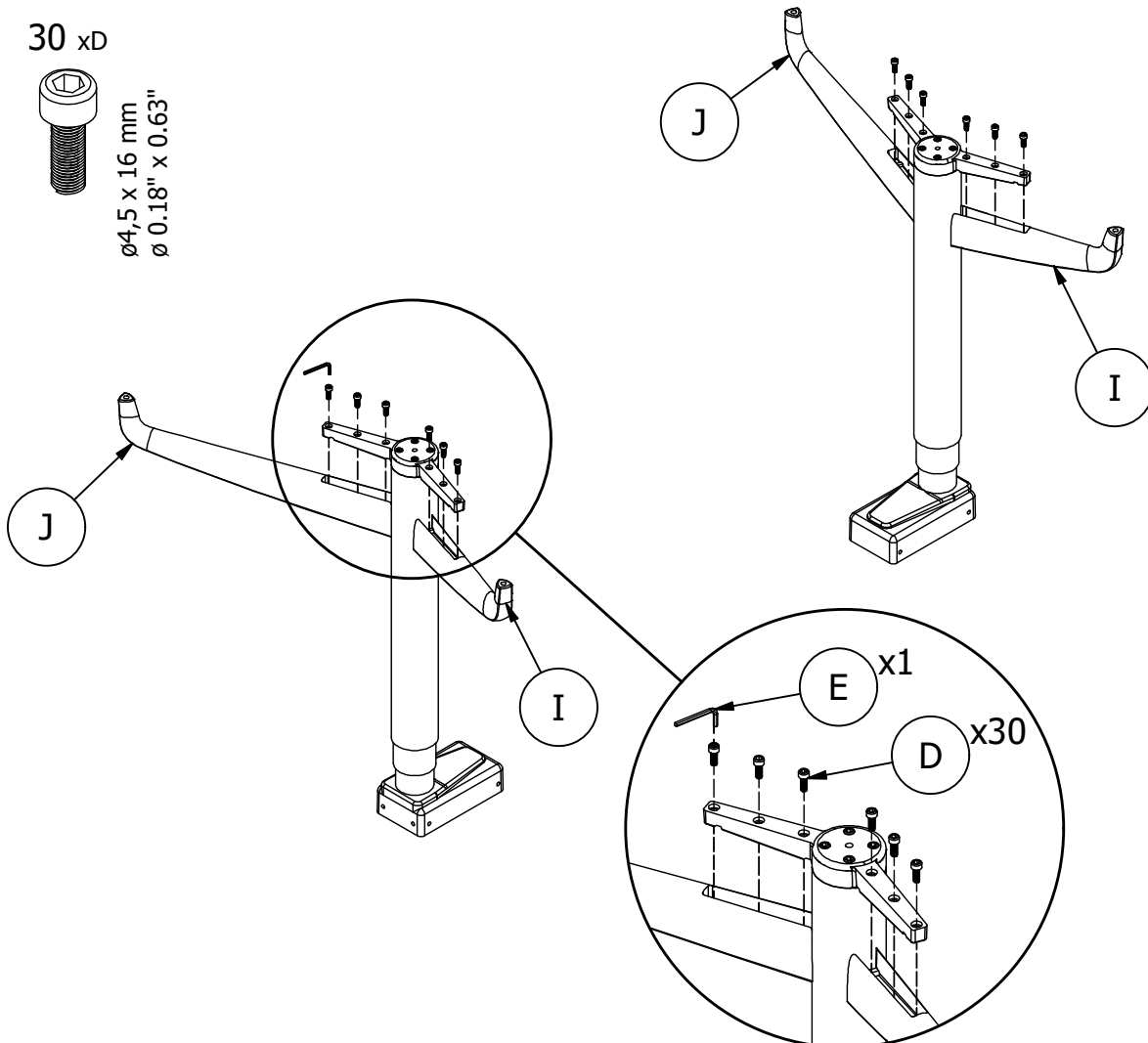
$\varnothing 4,5 \times 16 \text{ mm}$
 $\varnothing 0.18" \times 0.63"$

**2**

30 xD

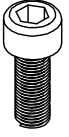


$\varnothing 4,5 \times 16 \text{ mm}$
 $\varnothing 0.18" \times 0.63"$

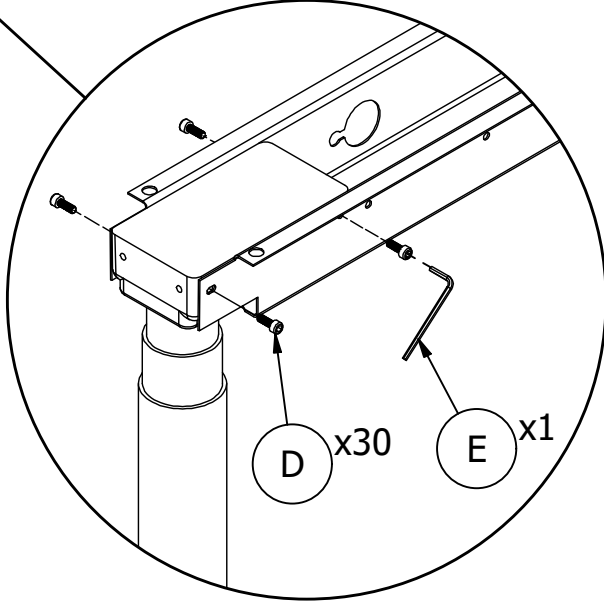
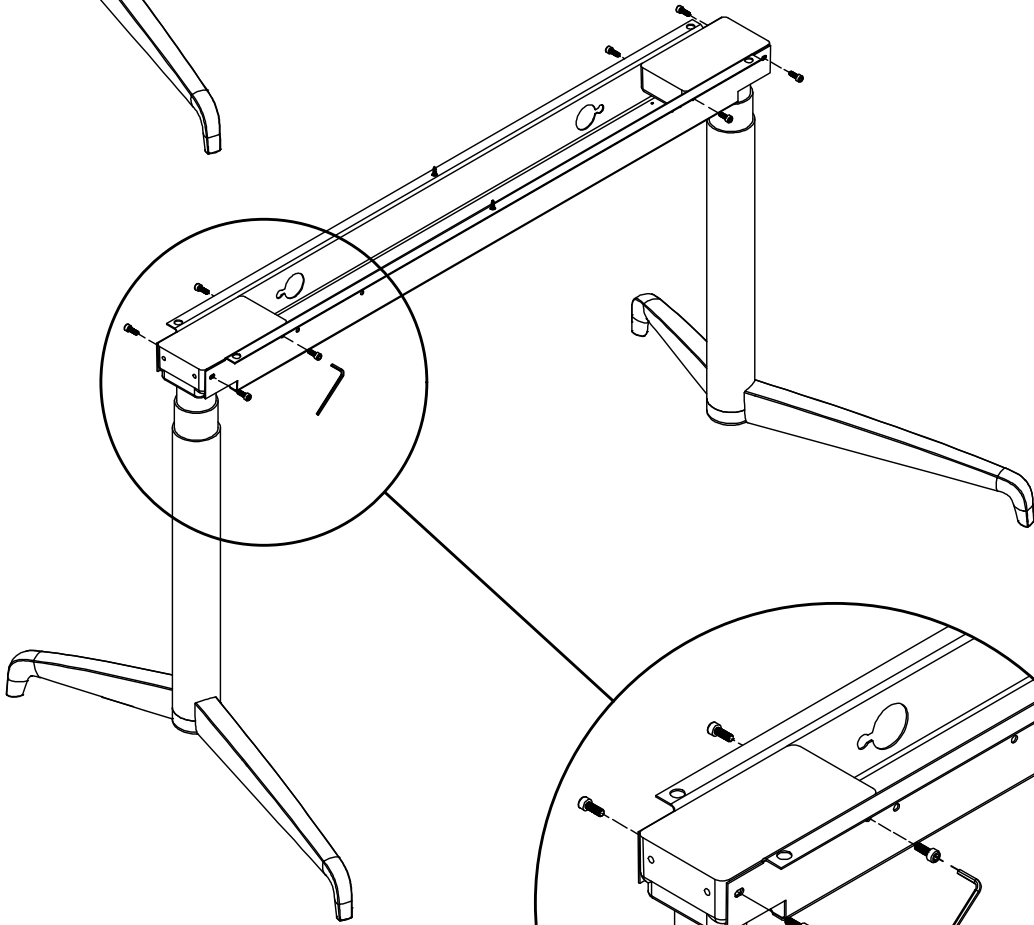
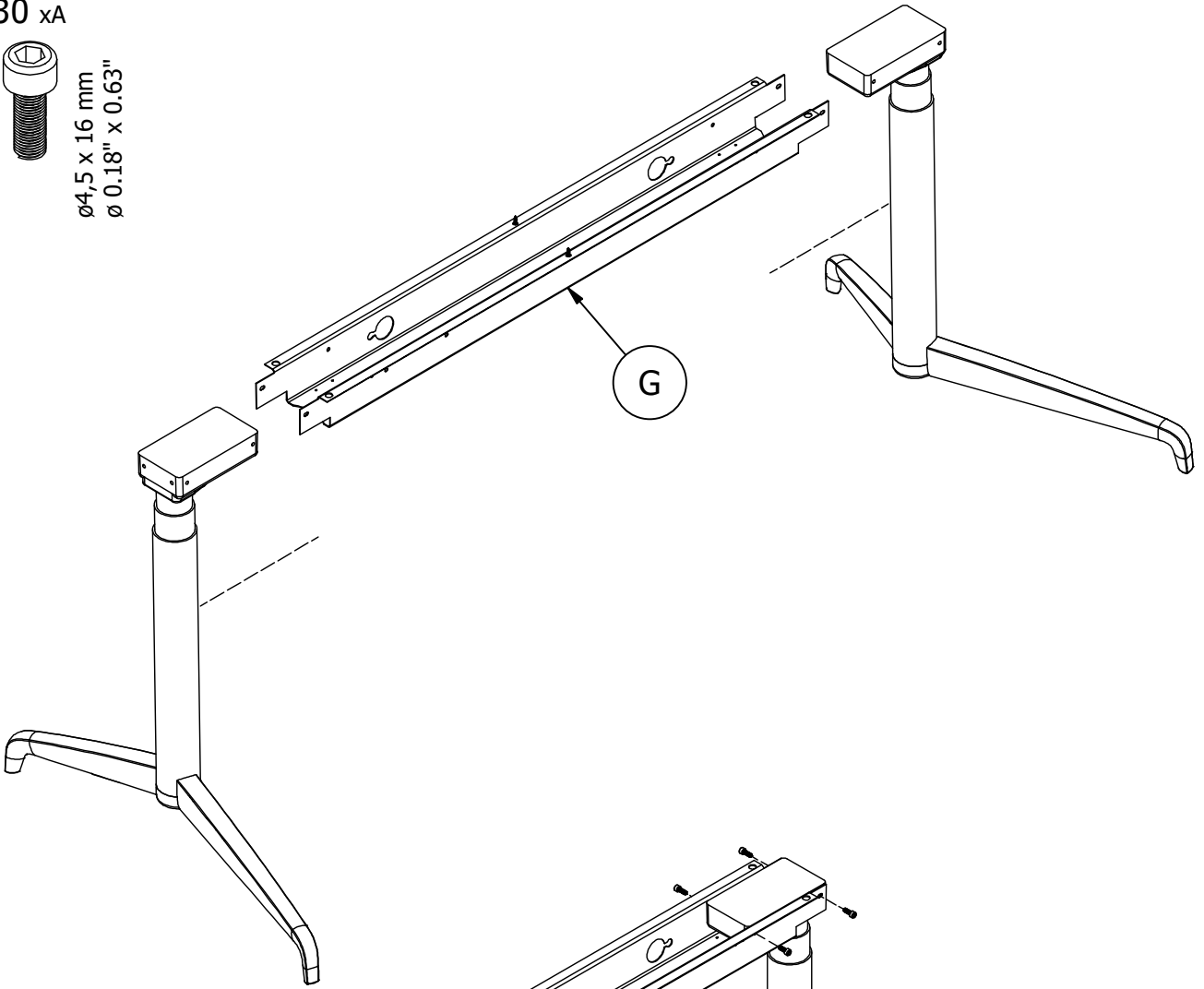


3

30 xA

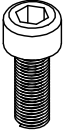


ø4,5 x 16 mm
ø 0.18" x 0.63"

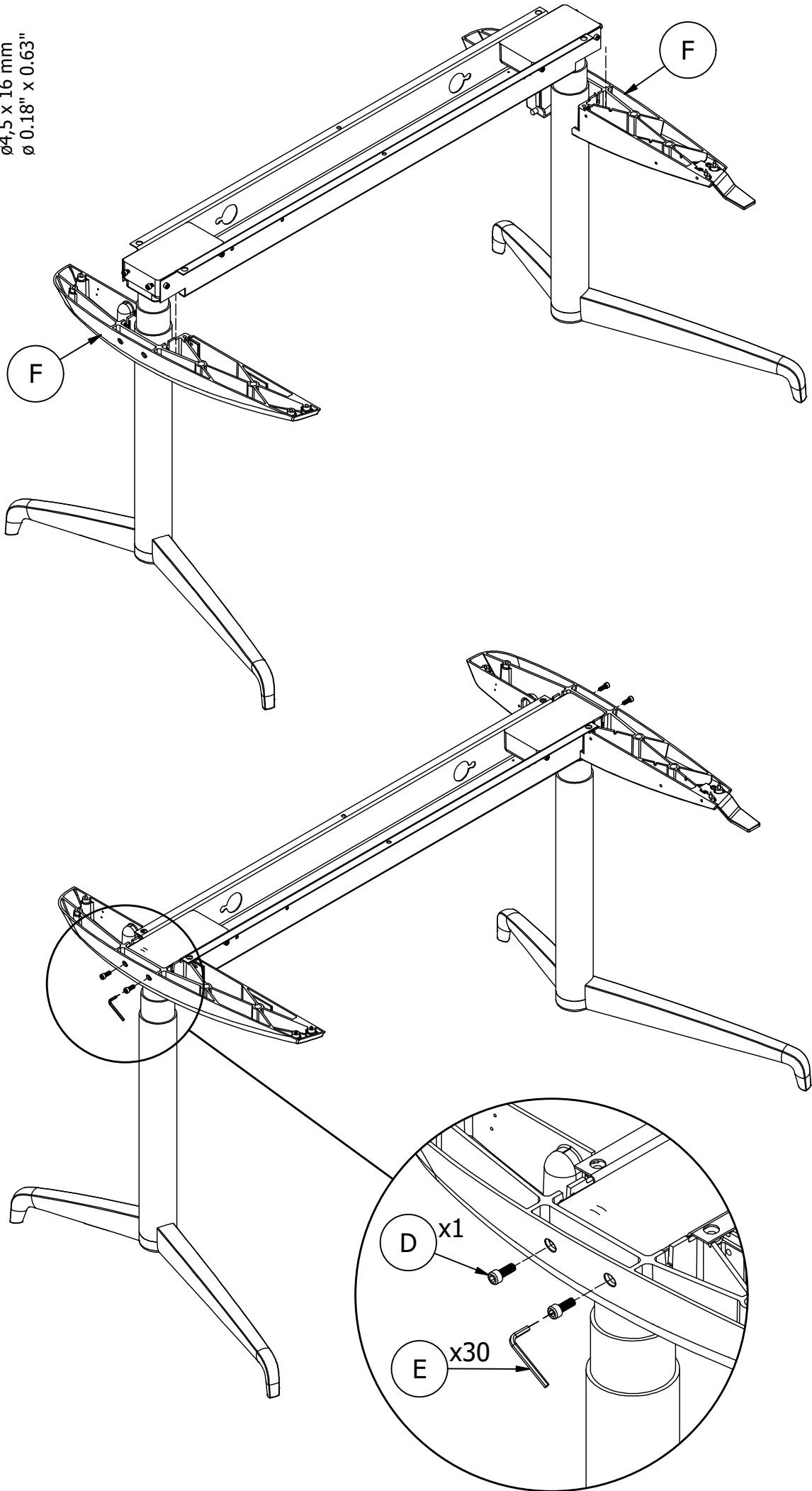


4

30 xA



Ø4,5 x 16 mm
Ø 0.18" x 0.63"



5

1 xC

12 xB

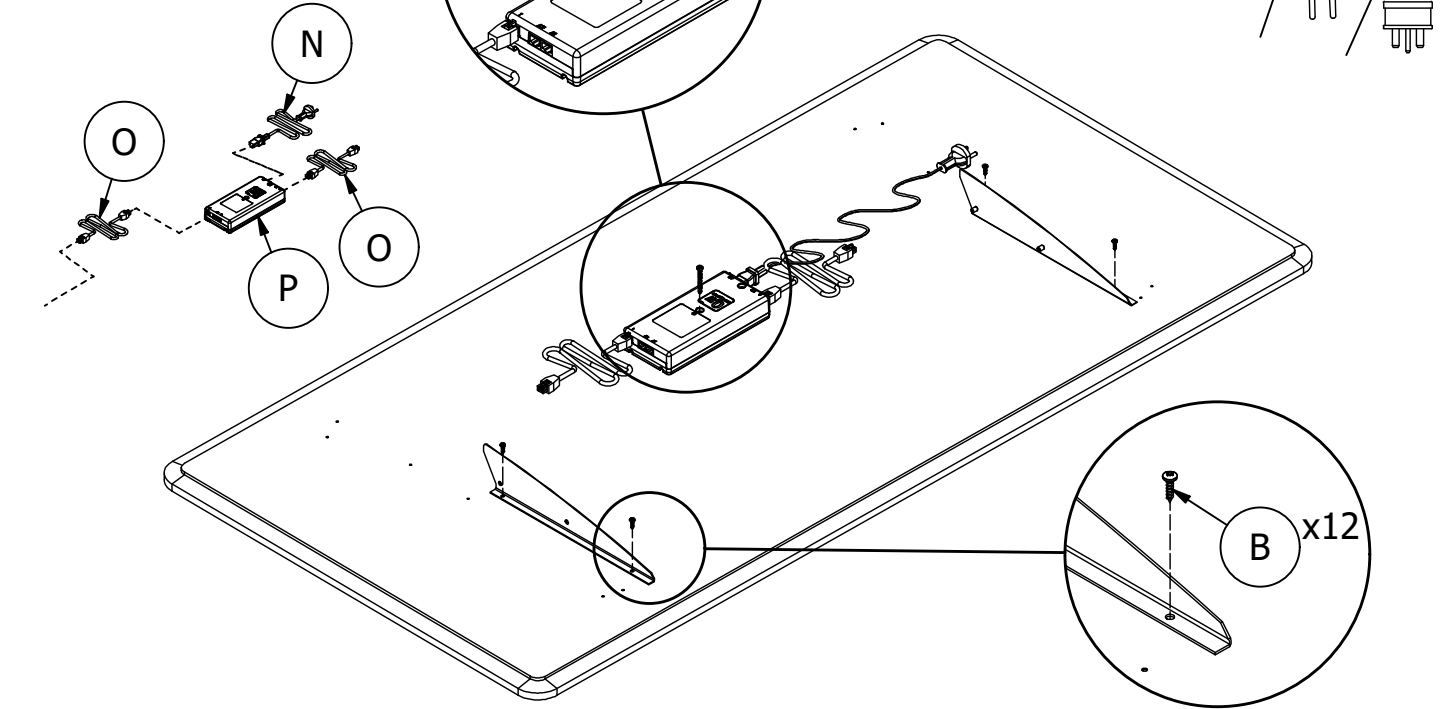
1 xP

2 xO

1 xN

$\varnothing 4,5 \times 45 \text{ mm}$
 $\varnothing 0.18" \times 1.77"$

$\varnothing 4,5 \times 16 \text{ mm}$
 $\varnothing 0.18" \times 0.63"$

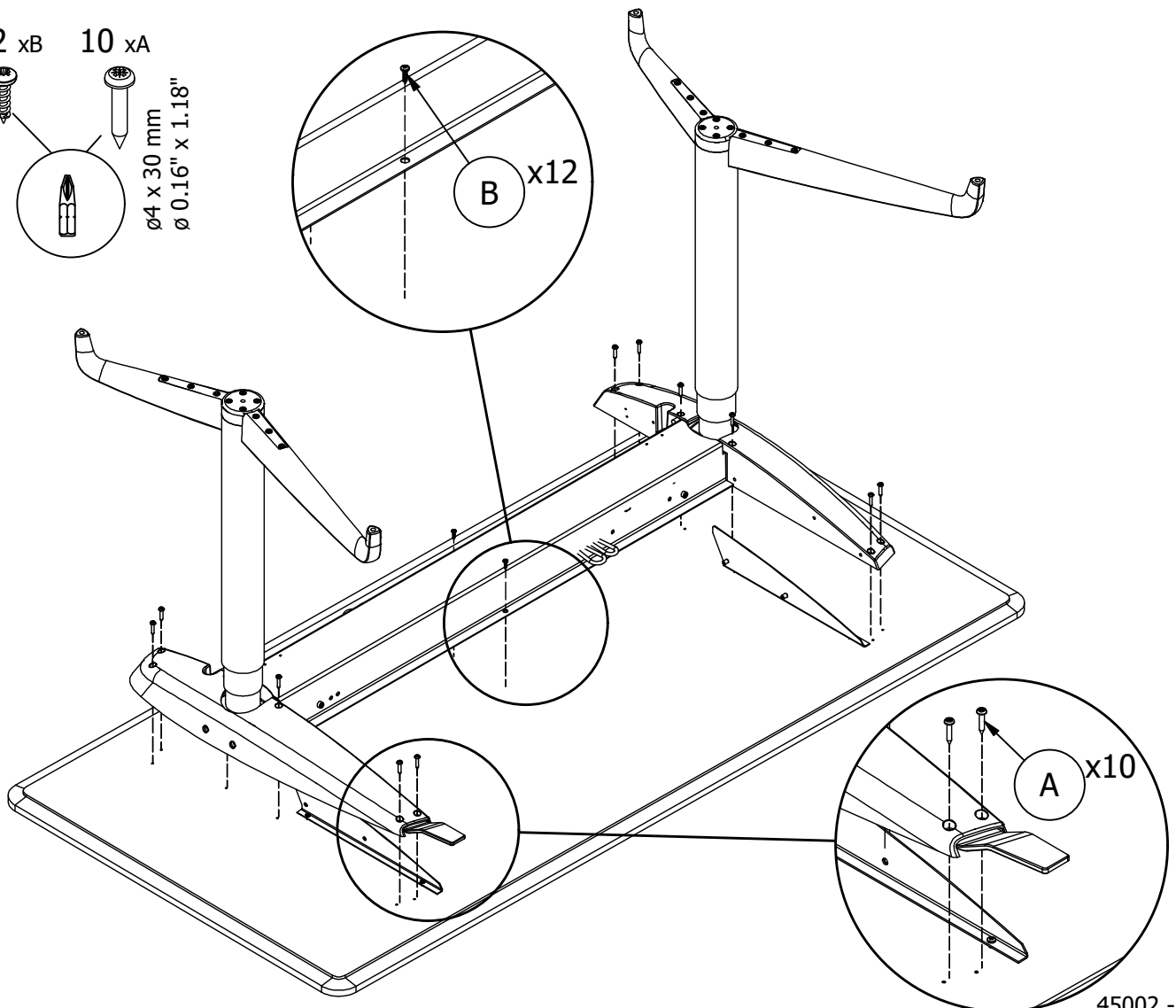
**6**

12 xB

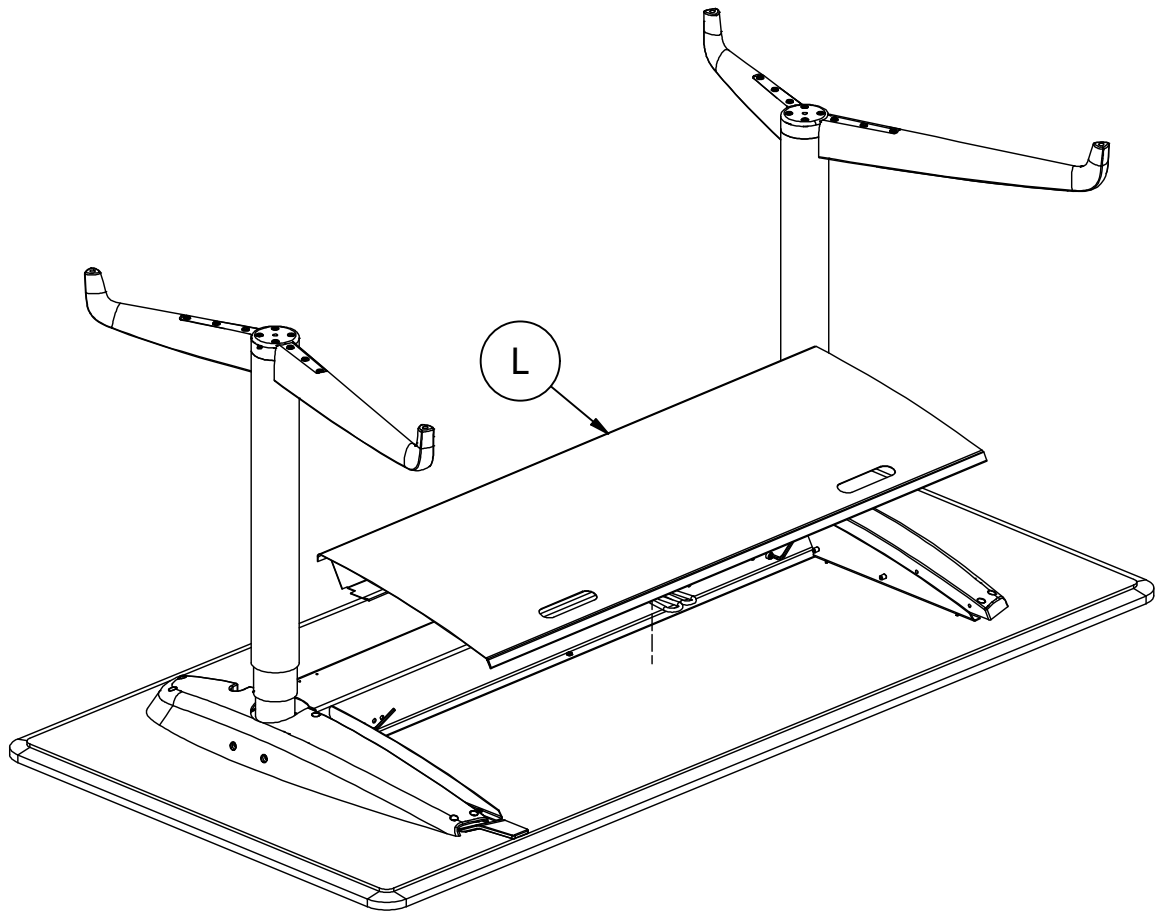
10 xA

$\varnothing 4,5 \times 16 \text{ mm}$
 $\varnothing 0.18" \times 0.63"$

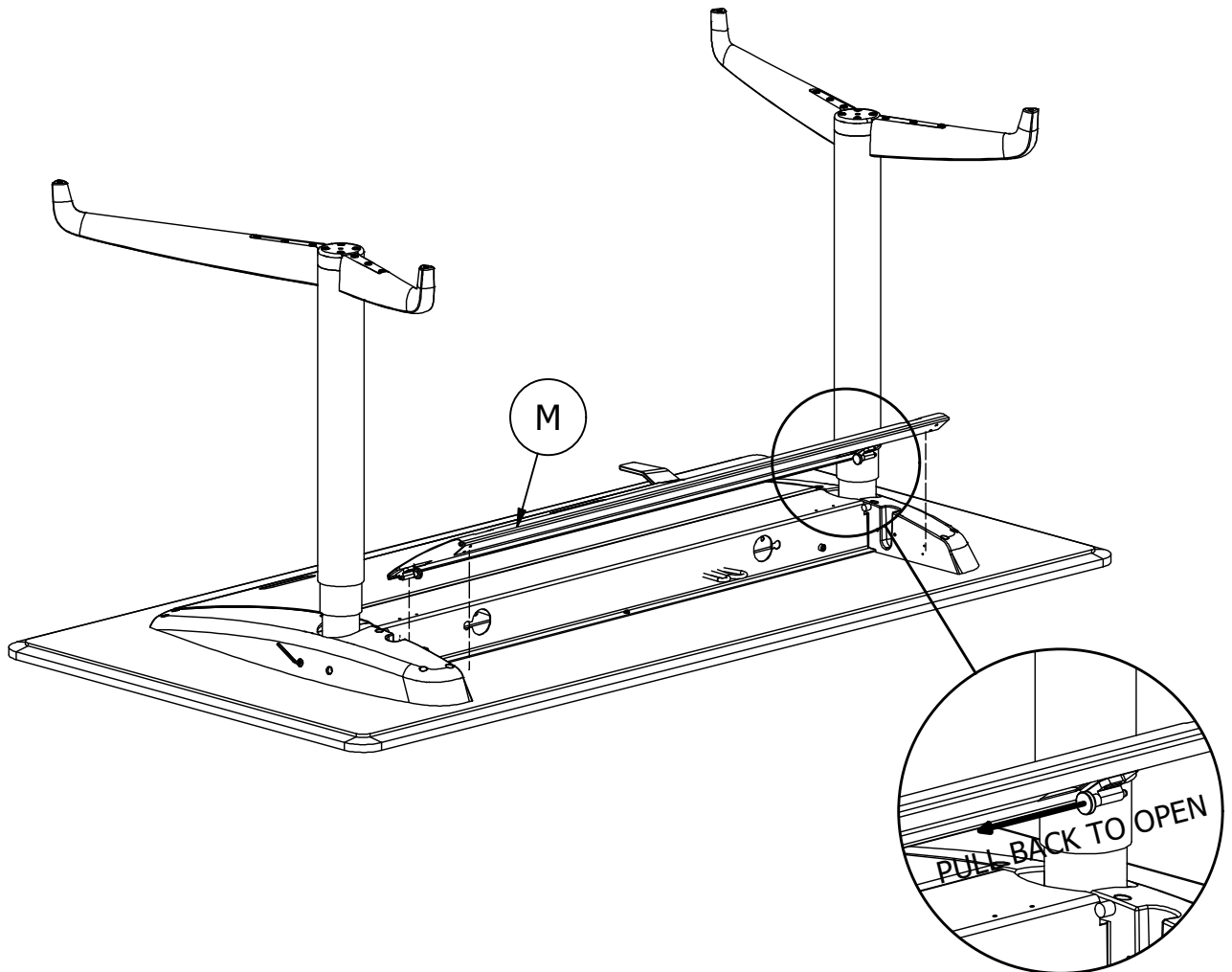
$\varnothing 4 \times 30 \text{ mm}$
 $\varnothing 0.16" \times 1.18"$



7



8



HOLMRIS B8

Furniture Care Instructions

Veneer Product:

The furniture is lacquered and do not require specific care.

Daily cleaning should be done using a soft dry cloth. Once in a while clean with a cloth rinsed with warm water and wrung out tightly.

Linoleum:

Daily cleaning of linoleum should be done using a mild cleaning solution. We recommend using cleaning product with a PH value between 5 and 9 in diluted form. We also recommend using a linoleum care product twice a year.

If very soiled use mild cleaning product to recommended dilution. Follow with clean water and linoleum specific care product.

Laminate:

No specific care required.

Laminate is a plastic product and can be cleaned using most non-abrasive cleaning products.

General:

Never place your furniture in a wet room, or other places with large changes in temperature and moisture. This will compromise the look and life span of the furniture.